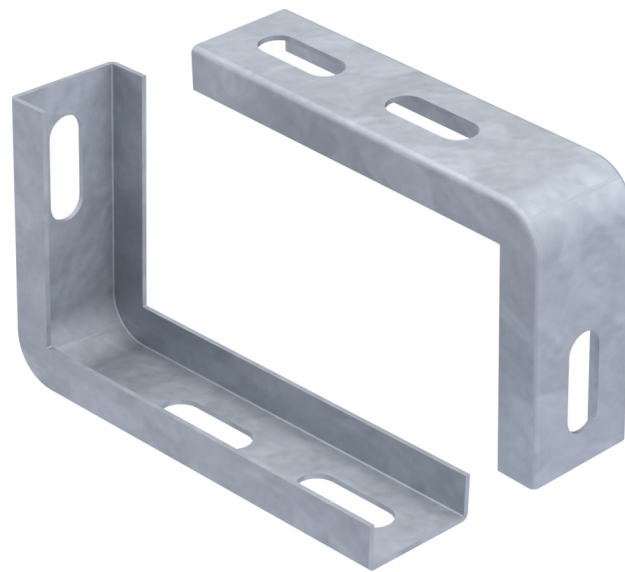


Technical Data Sheet

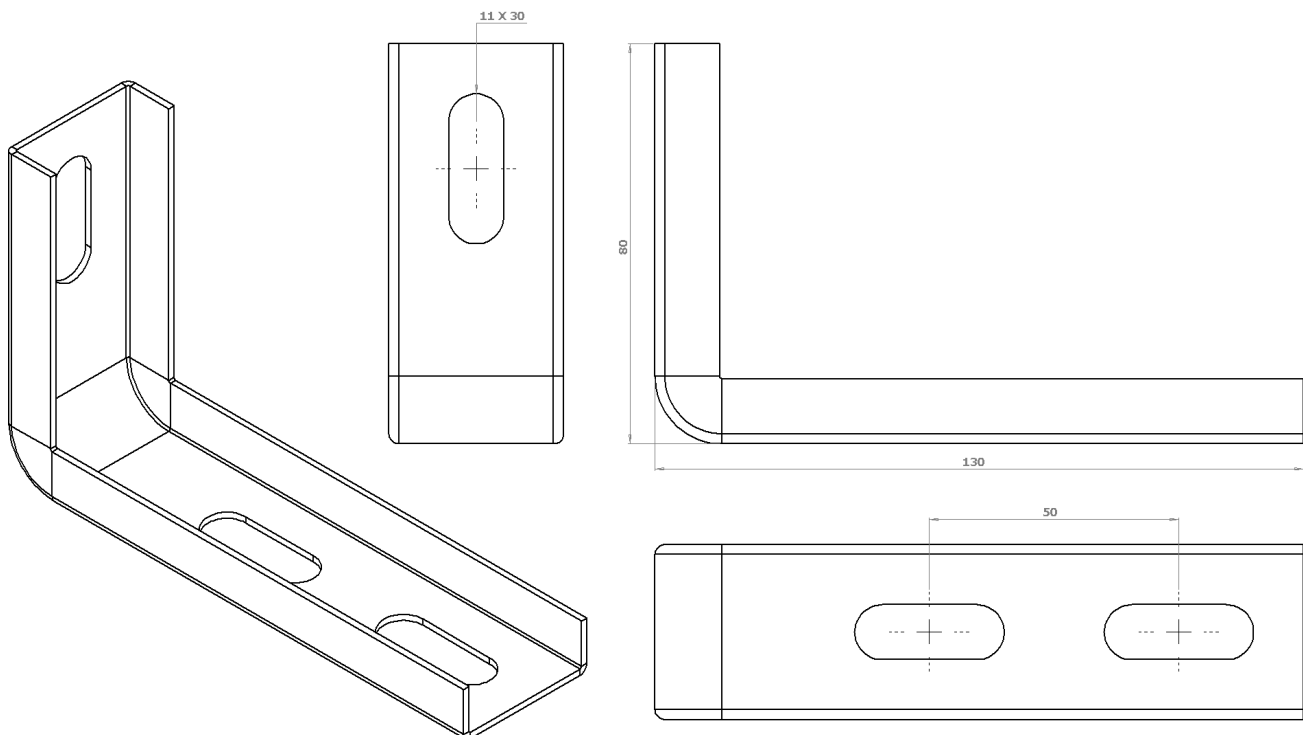
Wall Support - Light Duty Mounting Angle

Hot Dip Galvanized According to EN ISO 1461



Master Data

| | |
|--------------------|---|
| Product Code | 077.SA50100 |
| Description 1 | Wall Support |
| Description 2 | Light Duty Mounting Angle |
| Dimension | 50 x 100mm |
| Material | Steel |
| Surface Protection | Hot Dip Galvanized According to EN ISO 1461 |
| Use | Outdoor / Wet Indoor Facilities |



ISO 9001:2015